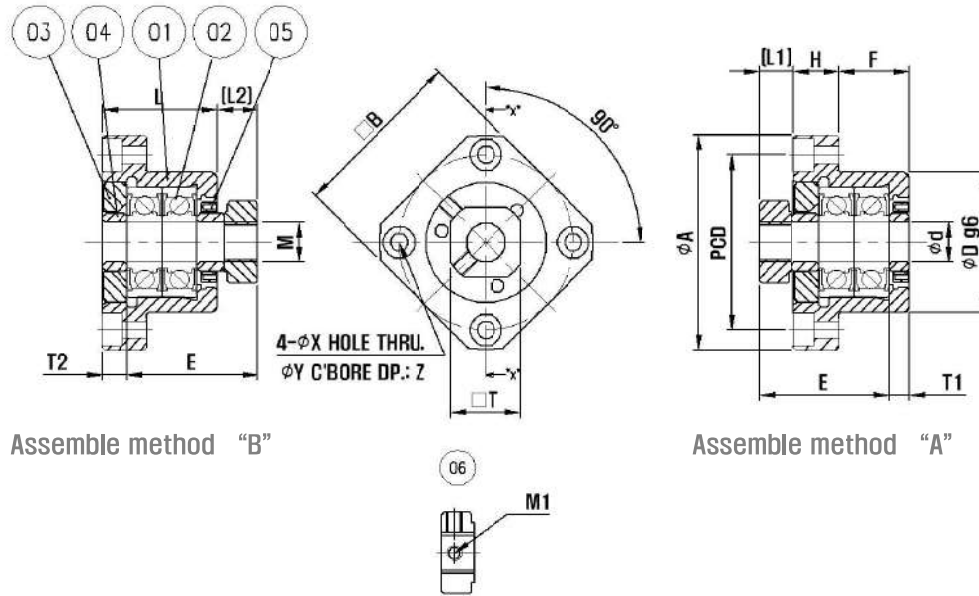


FIXED-END SUPPORT UNIT

FK series



Part no.	Name	Q'ty
01	Housing	1
02	Bearing(*1)	2
03	Pressure plate	1
04	collar	2
05	Seal	2
06	Lock nut	1

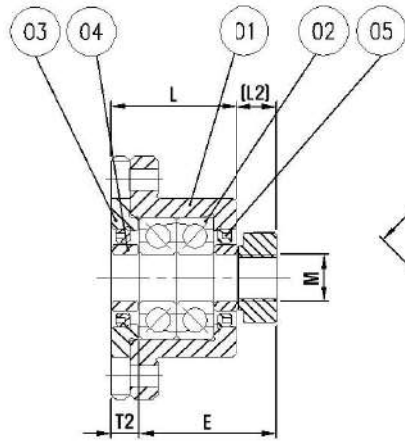
[Unit : mm, kg]

Model no.	Φd	L	H	F	E	ΦD g6	A	PCD	B	"A" type		"B" type		ΦY	ΦY	Z	M	M1	T	Weight
										L1	T1	L2	T2							
FK05	5	16.5	6	10.5	18.5	20	34	26	26	5.5	3.5	5	3	3.4	65	4	M5x0.5	M3	11	0.08
FK06	5	20	7	13	22	22	36	28	28	5.5	3.5	6.5	4.5	3.4	6.5	4	M6x0.75	M3	12	0.1
FK08	8	23	9	14	26	28	43	35	35	7	4	8	5	3.4	6.5	4	M8x1	M3	14	0.15

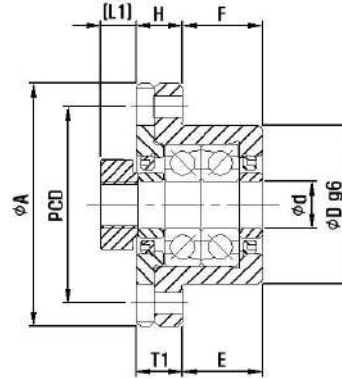
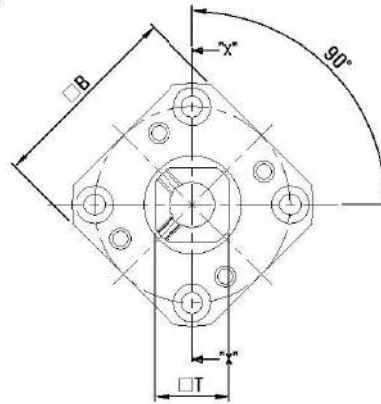
(*1) Match pair for precision angular contact ball bearing.

FIXED-END SUPPORT UNIT

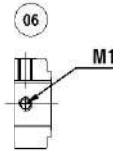
FK series



Assemble method "B"



Assemble method "A"



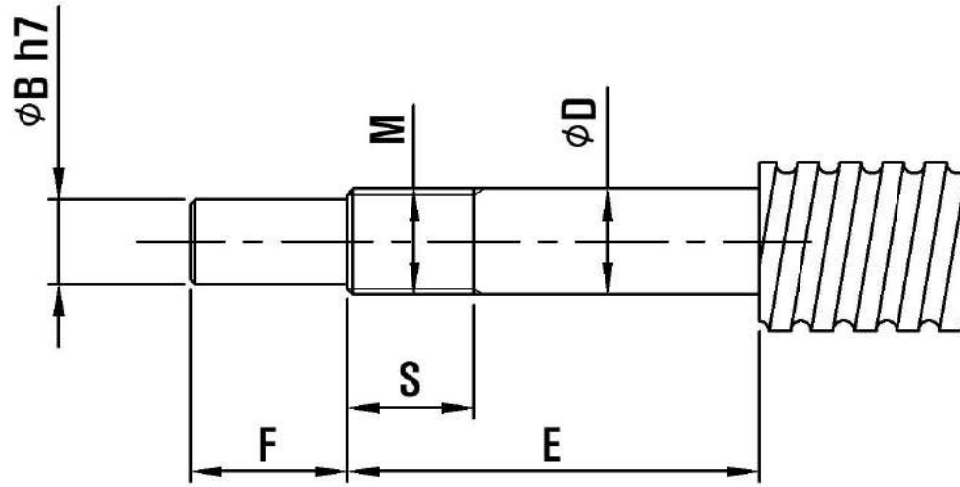
Part no.	Name	Q'ty
01	Housing	1
02	Bearing(*1)	2
03	Pressure plate	1
04	collar	2
05	Seal	2
06	Lock nut	1

[Unit : mm, kg]

Model no.	Φd	L	H	F	E	ΦD g6	A	PCD	B	"A" type		"B" type		ΦY	ΦY	Z	M	M1	T	Weight
										L1	T1	L2	T2							
FK10	10	27	10	17	29.5	34	52	42	42	7.5	5	8.5	6	4.5	8	4	M10x1	M3	16	0.23
FK12	12	27	10	17	29.5	36	54	44	44	7.5	5	8.5	6	4.5	8	4	M12x1	M4	19	0.25
FK15	15	32	15	17	36	40	63	50	52	10	6	12	8	5.5	9.5	5	M15x1	M4	22	0.39
FK17	17	45	22	23	47	50	77	62	61	11	9	14	12	6.6	11	10	M17x1	M4	24	0.81
FK20	20	52	22	30	50	57	85	70	68	8	10	12	14	6.6	11	10	M20x1	M4	30	1.02
FK25	25	57	27	30	59	63	98	80	79	13	10	20	17	9	15	13	M25x1.5	M5	35	1.48
FK30	30	60	30	32	61	75	117	95	93	11	12	17	18	11	17.5	15	M30x1.5	M6	40	2.32

FIXED-END SUPPORT UNIT

For support unit type BK fixed side

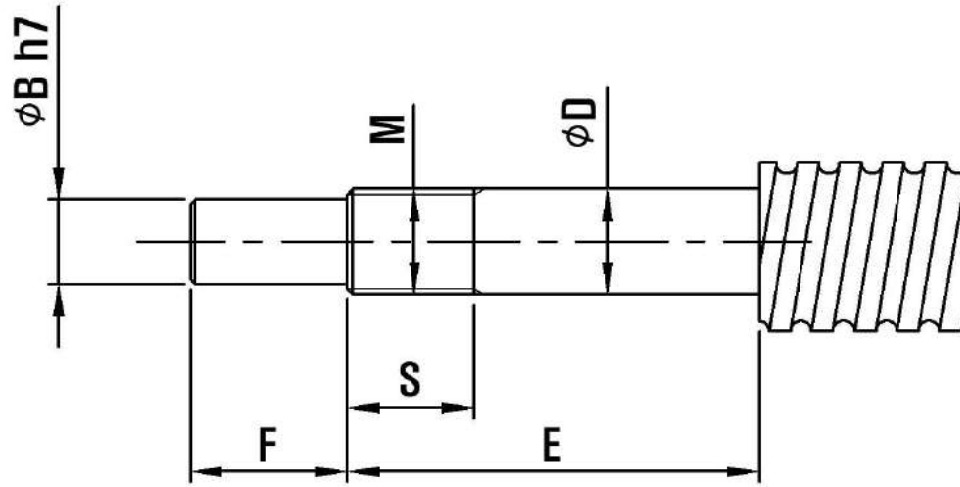


[Unit : mm]

Model No.	Use Screw shaft diameter	D	B	E	F	M	S	Collar Length
BK10	Φ12, Φ14, Φ15	10	8	40	15	M10x1	16	5.5
BK12	Φ14, Φ15, Φ16	12	10	39	15	M12x1	14	5.5
BK15	Φ18, Φ20	15	12	40	20	M15x1	12	6
BK17	Φ20, Φ25	17	15	53	23	M17x1	17	7
BK20	Φ25, Φ28	20	17	53	25	M20x1	15	8
BK25	Φ32, Φ36	25	20	64	30	M25x1.5	18	9
BK30	Φ36, Φ40	30	25	72	38	M30x1.5	25	9
BK35	Φ45	35	30	83	45	M35x1.5	28	12
BK40	Φ50	40	35	98	50	M40x1.5	35	15

FIXED-END SUPPORT UNIT

For support unit type FK and EK and AK fixed side



[Unit : mm]

Model No.			Use Screw shaft diameter	D	B	E	F	M	S	Collar Length
FK05	-	-	$\phi 8$	5	4	23	6	M5x0.75	7	3.5
FK06	EK06	-	$\phi 8$	6	4	28	8	M6x0.75	10	5
FK08	EK08	-	$\phi 10, \phi 12$	8	6	33	9	M8x1	10	5.5
FK10	EK10	AK10	$\phi 12, \phi 14, \phi 15$	10	8	36	15	M10x1	11	5.5
FK12	EK12	AK12	$\phi 14, \phi 15, \phi 16$	12	10	36	15	M12x1	11	5.5
FK15	EK15	AK15	$\phi 18, \phi 20$	15	12	49	20	M15x1	13	10
FK17	-	-	$\phi 20, \phi 25$	17	15	59	23	M17x1	16	10
FK20	EK20	AK20	$\phi 25, \phi 28$	20	17	64	25	M20x1	16	11
FK25	-	AK25	$\phi 32, \phi 36$	25	20	76	30	M25x1.5	20	14
FK30	-	-	$\phi 36, \phi 40$	30	25	72	38	M30x1.5	25	9

FIXED-END SUPPORT UNIT

Bearing use with support unit

Model No.	Bearing	Cr (kN)	Cro (kN)	Maximum rotation speed (r/min)
FK06, EK06	706A	2.28	0.93	85000
FK08, EK08	708A	3.75	1.66	67000
BK10, FK10, EK10, AK10	7000A	4.05	2	56000
EK12, FK12, EK12, AK12	7001A	4.55	2.5	50000
BK15, FK15, EK15, AK15	7002A	6	3.25	43000
BK17, FK17	7203A	10.4	5.6	36000
BK20	4004A	10	5.7	32000
EK20, FK20, AK20	7204A	14	7.8	30000
BK25, FK25, AK25	7205A	15	14	26000
BK30, FK30	7206A	22	13.5	22000
BK35	7207B	27.1	18.4	9300
BK40	7208B	32	23	8300

(1) Cr : Basic dynamic load rating

(2) Cro : Basic static load rating