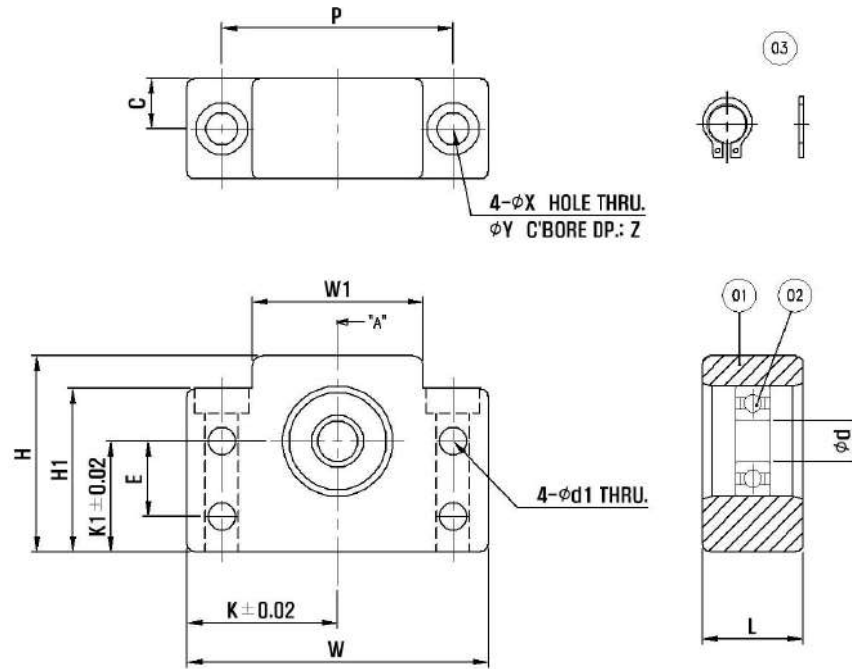


END SUPPORT UNIT  
**BF series**



| Part no. | Name           | Q'ty |
|----------|----------------|------|
| 01       | Housing        | 1    |
| 02       | Bearing        | 2    |
| 03       | Pressure plate | 1    |

[Unit : mm, kg]

| Model no. | Φd | W   | W1  | K  | K1 | H   | H1   | E  | Φd1 | L  | P   | C    | ΦX  | ΦY   | Z    | Weight |
|-----------|----|-----|-----|----|----|-----|------|----|-----|----|-----|------|-----|------|------|--------|
| BF10      | 8  | 60  | 34  | 30 | 22 | 39  | 32.5 | 15 | 5.5 | 20 | 46  | 10   | 6.6 | 10.8 | 5    | 0.3    |
| BF12      | 10 | 60  | 34  | 30 | 25 | 43  | 32.5 | 18 | 5.5 | 20 | 46  | 10   | 6.6 | 10.8 | 1.5  | 0.3    |
| BF15      | 15 | 70  | 40  | 35 | 28 | 48  | 38   | 18 | 5.5 | 20 | 54  | 10   | 6.6 | 11   | 6.5  | 0.4    |
| BF17      | 17 | 86  | 50  | 43 | 39 | 64  | 55   | 28 | 6.6 | 23 | 68  | 11.5 | 9   | 14   | 8.5  | 0.75   |
| BF20      | 20 | 88  | 52  | 44 | 34 | 60  | 50   | 22 | 6.6 | 26 | 70  | 13   | 9   | 14   | 8.5  | 0.76   |
| BF20H     | 20 | 88  | 52  | 44 | 48 | 74  | 64   | -  | -   | 26 | 70  | 13   | 9   | 14   | 8.5  | 1.02   |
| BF25      | 25 | 106 | 64  | 53 | 48 | 80  | 70   | 33 | 9   | 30 | 85  | 15   | 11  | 17   | 11   | 1.43   |
| SF25      | 25 | 128 | 76  | 64 | 51 | 89  | 78   | -  | -   | 32 | 102 | 16   | 14  | 20   | 13   | -      |
| BF30      | 30 | 128 | 76  | 64 | 51 | 89  | 78   | 33 | 11  | 32 | 102 | 16   | 14  | 20   | 13   | 1.94   |
| BF35      | 35 | 140 | 88  | 70 | 52 | 96  | 79   | 35 | 11  | 32 | 114 | 16   | 14  | 20   | 13   | 2.25   |
| SF40      | 40 | 140 | 88  | 70 | 52 | 96  | 79   | -  | -   | 32 | 114 | 16   | 14  | 20   | 13   | -      |
| BF40      | 40 | 160 | 100 | 80 | 60 | 110 | 90   | 37 | 14  | 37 | 130 | 18.5 | 18  | 26   | 17.5 | 3.3    |