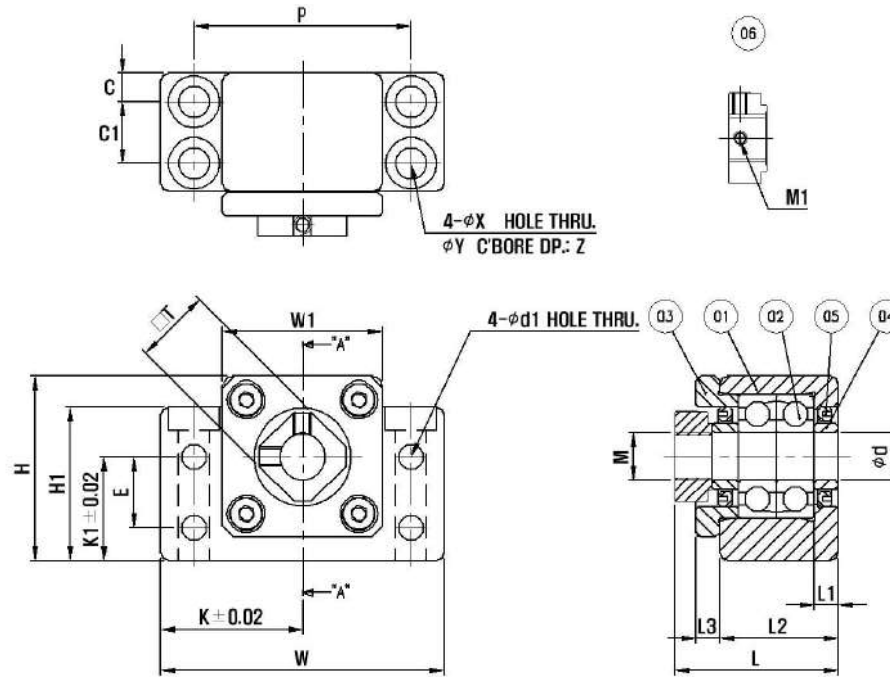


FIXED-END SUPPORT UNIT

BK series



Part no.	Name	Q'ty
01	Housing	1
02	Bearing(*1)	2
03	Pressure plate	1
04	collar	2
05	Seal	2
06	Lock nut	1

[Unit : mm, kg]

Model no.	Φd	W	W1	H	H1	K	K1	L	L1	L2	L3	P	C	C1	ΦX	ΦY	Z	E	Φd1	T	M	M1	Weight
BK10	10	60	34	39	32.5	30	22	34.5	5	25	5	46	13	6	6.6	10.8	5	15	5.5	16	M10x1	M3	0.4
BK12	12	60	34	43	32.5	30	25	34.5	5	25	5	46	13	6	6.6	10.8	1.5	18	5.5	19	M12x1	M4	0.41
BK15	15	70	40	48	38	35	28	38	6	27	6	54	15	6	6.6	11	6.5	18	5.5	22	M15x1	M4	0.58
BK17	17	86	50	64	55	43	39	51	7	35	9	68	19	8	9	14	8.5	28	6.6	24	M17x1	M4	1.3
BK20	20	88	52	60	50	44	34	51	8	35	8	70	19	8	9	14	8.5	22	6.6	30	M20x1	M4	1.2
BK25	25	106	64	80	70	53	48	63	9	42	12	85	22	10	11	17	11	33	9	35	M25x1.5	M6	2.35
BK30	30	128	76	89	78	64	51	70	9	45	14	102	23	11	14	20	13	33	11	40	M30x1.5	M6	3.33
BK35	35	140	88	96	79	70	52	79	12	50	14	114	26	12	14	20	13	35	11	50	M35x1.5	M6	4.4
BK40	40	160	100	110	90	80	60	91	15	61	18	130	33	14	18	26	17.5	37	14	50	M40x1.5	M6	6.8

(*1) Match pair for precision angular contact ball bearing.