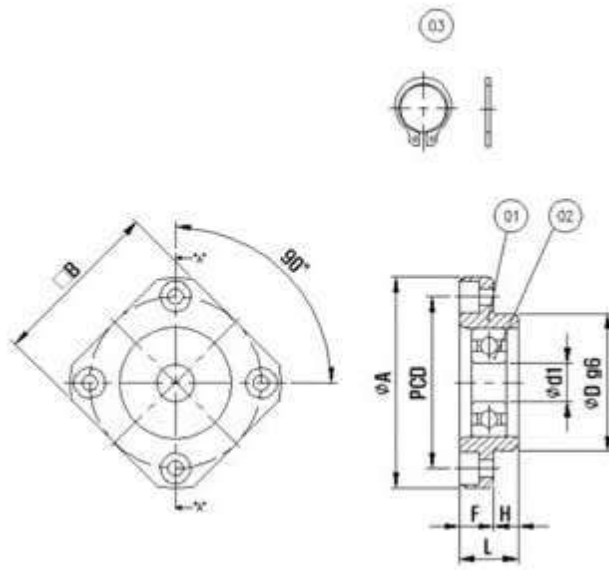


END SUPPORT UNIT

FF series



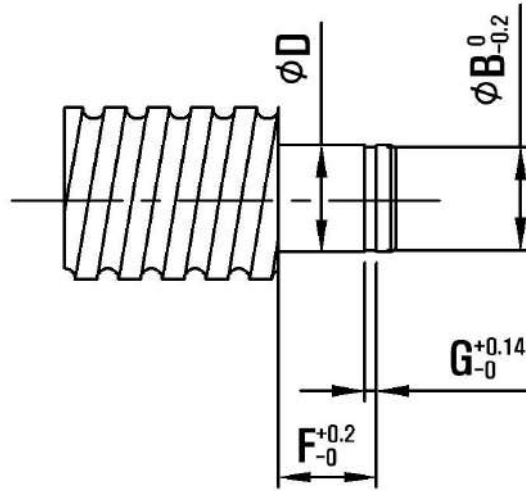
Part no.	Name	Q'ty
01	Housing	1
02	Bearing	2
03	Pressure plate	1

[Unit : mm, kg]

Model no.	$\Phi d$	$\Phi A$	B	L	H	F	$\Phi D g6$	PCD	$\Phi X$	$\Phi Y$	Z	Weight
FF06	6	36	28	10	6	4	22	28	3.4	6.5	4	0.06
FF10	8	43	35	12	7	5	28	35	3.4	6.5	4	0.1
FF12	10	52	42	15	7	8	34	42	4.5	8	4	0.13
FF15	15	63	52	17	9	8	40	50	5.5	9.5	5.5	0.2
FF17	17	77	61	20	11	9	50	62	6.6	11	6.5	0.33
FF20	20	85	68	20	11	9	57	70	6.6	11	6.5	0.43
FF25	25	98	79	24	14	10	63	80	9	14	8.5	0.66
FF30	30	117	93	27	18	9	75	95	11	17	11	1.03

## END SUPPORT UNIT

For support unit type FF and EF and AF and BF floated side



[Unit : mm]

Model No.				Use Screw shaft diameter	D	E	B	F	G
FF06	EF06	-	-	$\phi 8$	6	9	5.7	6.8	0.8
-	EF08	-	-	$\phi 10$	6	9	5.7	6.8	0.8
FF10	EF10	BF10	AF10	$\phi 12, \phi 14, \phi 15$	8	10	7.6	7.9	0.9
FF12	EF12	BF12	AF12	$\phi 14, \phi 15, \phi 16$	10	11	9.6	9.15	1.15
FF15	EF15	BF15	AF15	$\phi 18, \phi 20$	15	13	14.3	10.15	1.15
FF17	-	BF17	-	$\phi 20, \phi 25$	17	16	16.2	13.15	1.15
-	-	BF20	-	$\phi 25, \phi 28, \phi 30$	20	16	19	13.35	1.35
FF20	EF20	-	AF20	$\phi 25, \phi 28, \phi 30$	20	19	19	15.35	1.35
FF25	-	BF25	AF25	$\phi 30, \phi 32, \phi 36$	25	20	23.9	16.35	1.35
FF30	-	BF30	-	$\phi 36, \phi 40$	30	21	28.6	17.75	1.75
-	-	BF35	-	$\phi 40, \phi 45$	35	22	33	18.75	1.75
-	-	BF40	-	$\phi 50$	40	23	38	19.95	1.95

**END SUPPORT UNIT****Bearing use with support unit**

Model No.	Bearing
FF06, EF06	606 ZZ
FF08, EF08	606 ZZ
BF10, FF10, EF10, AF10	608 ZZ
EF12, FF12, EF12, AF12	6000 ZZ
BF15, FF15, EF15, AF15	6002 ZZ
BF17, FF17	6203 ZZ
BF20, EK20, FK20, AK20	6004 ZZ
BF25, FF25, AF25	6205 ZZ
BF30, FF30	6206 ZZ
BF35	6207 ZZ
BF40	6208 ZZ