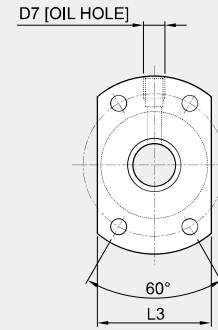
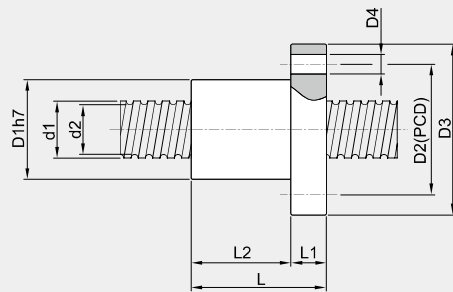


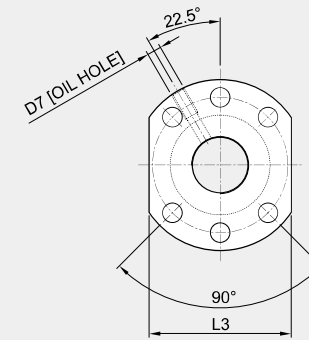
SBC Precision Rolled Ball Screw

SBC Precision Rolled Ball Screw

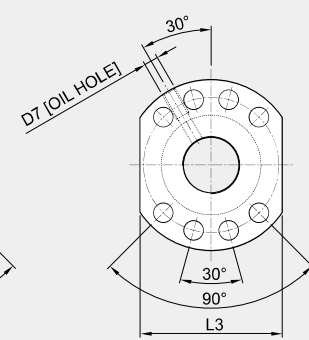
STK/STC Precision Rolled Ball Screw STK/STC Type



[STK1605~4010]



[STC2510]



[STK5010~8010]

| Model No. | d1 (Nominal diameter) | Ph (Lead) | d0 (Ball circle diameter) | Da (Ball Diameter) | d2 (Root - diameter) | i (No. of circuits) | D1 | D2 (PCD) | D3 |
|-----------|--------------------------|--------------|------------------------------|-----------------------|-------------------------|------------------------|-----|-------------|-----|
| STK1605 | 15.6 | 5 | 16 | 3.5 | 12.7 | 3x1 | 34 | 44 | 54 |
| STK2005 | 19.6 | 5 | 20 | 3.5 | 16.7 | 4x1 | 40 | 50 | 60 |
| STK2505 | 24.6 | 5 | 25 | 3.5 | 21.7 | 4x1 | 43 | 55 | 67 |
| STK2510 | 24.6 | 10 | 25 | 3.5 | 21.7 | 4x1 | 60 | 78 | 96 |
| STC2510 | 24.6 | 10 | 25 | 3.5 | 21.7 | 4x1 | 40 | 51 | 62 |
| STK3205 | 31.6 | 5 | 32 | 3.5 | 28.7 | 4x1 | 56 | 71 | 86 |
| STK3210 | 31.6 | 10 | 32 | 5.556 | 27.1 | 4x1 | 67 | 85 | 103 |
| STK4005 | 39.6 | 5 | 40 | 3.5 | 36.7 | 4x1 | 64 | 82 | 100 |
| STK4010 | 39.6 | 10 | 40 | 7.144 | 36.7 | 4x1 | 76 | 96 | 116 |
| STK5010 | 49.5 | 10 | 50 | 7.144 | 43 | 4x1 | 75 | 93 | 110 |
| STK6310 | 62.5 | 10 | 63 | 7.144 | 56.9 | 6x1 | 90 | 108 | 125 |
| STK8010 | 79.5 | 10 | 80 | 7.144 | 73.9 | 6x1 | 105 | 125 | 145 |

(Unit : mm)

| D4 | D7 | L | L1 | L2 | L3 | Ca [kN] | Coa [kN] | Max. Length |
|------|------|-----|----|----|-----|------------|-------------|-------------|
| 4.5 | M6x1 | 45 | 10 | 35 | 40 | 7.5 | 12.1 | 3000 |
| 4.5 | M6x1 | 53 | 10 | 43 | 46 | 11.0 | 23.3 | 4000 |
| 5.5 | M6x1 | 53 | 10 | 43 | 50 | 12.5 | 30.4 | 6000 |
| 9 | M6x1 | 85 | 15 | 70 | 72 | 19.0 | 38.0 | 6000 |
| 6.6 | M6x1 | 85 | 12 | 73 | 48 | 19.0 | 38.0 | 6000 |
| 6.6 | M6x1 | 53 | 12 | 41 | 68 | 14.2 | 40.0 | 6000 |
| 9 | M6x1 | 90 | 15 | 75 | 78 | 33.2 | 70.0 | 6000 |
| 9 | M8x1 | 56 | 15 | 41 | 75 | 26.3 | 59.2 | 6000 |
| 11 | M8x1 | 93 | 17 | 76 | 88 | 64.9 | 109 | 6000 |
| 11 | M8x1 | 98 | 16 | 75 | 85 | 66.4 | 134.3 | 6000 |
| 11 | M8x1 | 126 | 18 | 96 | 95 | 93.8 | 229.7 | 6000 |
| 13.5 | M8x1 | 128 | 20 | 96 | 110 | 121.9 | 374.9 | 7000 |

① Ca (Basic Dynamic load rating), Coa (Basic static load rating)